



SOLAR. WORK. STATION.

The CampusXL is a fully engineered true off-grid solar powered charging station integrated into an innovative 3/16" structural steel package. With the highest solar power capacity of any charging station on the market – this workstation is extremely robust and resilient to all weather conditions.

OVERVIEW

- A highly reliable, long endurance solar powered charging station
- A powerful 1kW DC solar array and 225 amp hour gel cell battery
- Architectural design, and a fully engineered commercial grade structure
- Supports up to 75-150 hand held mobile device charges/day (typical use)
- Supports charging for tablets, laptops, cameras, and other electronic devices
- Attractive non-glare LED table top lighting system for nighttime use
- ADA compliant design
- True off-grid solar power design that delivers dependable year round charging power even in worst case weather conditions
- Optimized system design includes high quality UL listed solar power components for safe and trouble-free performance
- 130 mph wind speed rated self-ballasted structural steel construction
- Low maintenance with a ten to twenty year expected service life
- Seats four comfortably with room for additional seating



120 Volt and USB Outlets



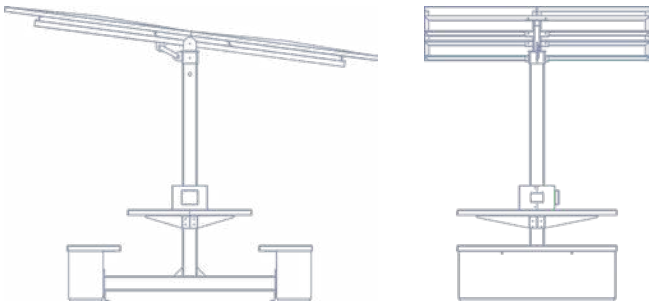
ADA Compliant



Powerful Solar Array

BENEFITS

- Reduces carbon footprint
- A high-visibility green symbol with tangible benefits for your community
- Provides off-grid electronic device power in a convenient and attractive way
- Provides continuous electronic device charging even during extended grid power outages
- Complements a wide range of landscapes and architectural aesthetics
- A green infrastructure problem solver for any outdoor public space; improves traffic flow and attracts positive interaction
- Connects users to the value of green power and your organization's concrete commitment to sustainability



DIMENSIONS

- Canopy height (high side): 8'3½"
- Canopy head clearance height (low side): 6'11¾"
- Bench seat (1): 4'6" W x 1'2½" L
- Bench footprint (1): 4'6" W x 1'0" L
- Table top: 4'6" W x 3'6" L
- Table footprint (with benches): 4'6" W x 7'0" L
- Canopy: 6'7" W x 11'0" L

STRUCTURE

- 100% powder coated structural steel
 - ASTM A-500 Grade B structural steel: horizontal tube, vertical tube, and solar canopy supporting tube; thickness: ¾"
 - ASTM A-36 structural steel: bench enclosures, miscellaneous supporting components; thickness: ¾"
 - A1011 CS Type B steel sheet: bench enclosure access panel; thickness: ½"
- Wood table & bench tops: ipe and perforated steel
- Wind speed rating: 130 mph self-ballasted (no surface attachment required)
- Durable industrial strength construction with easy to clean surfaces
- Seats four comfortably with a minimum 24" centerline distance between any two parallel seats
- Total weight: 1,450 lbs (including electrical components and concrete ballast block)

MONITORING & METERING

- User monitoring/meter: MidNite Solar battery capacity meter
- Includes RM2 meter systems for current parameters
- Optional upgrade for comprehensive charge controller monitoring and control via ethernet port and manufacturer's web portal
- Customized external ethernet port available

SECURITY

- Robust ballast mount system minimizes movement
- Additional "anti-vandal" surface attachment options
- Robust, heavy gauge steel components; inherently vandal-proof
- Tamper resistant hardware and fasteners

WARRANTY

- One year warranty on installation
- Twenty-five year warranty on solar panel power output
- See individual component warranties

SOLAR CHARGING SYSTEM

- Solar array capacity: 1kW DC
- Four 120V traditional electrical receptacles
- Eight USB charging ports
- Battery: 225 amp-hour sealed gel valve regulated lead acid (VRLA)
- Battery bank voltage: 12.0 volts DC
- Inverter: Morningstar SureSine300
- Charge controller: Morningstar TS-MPPT- 45 (maximum power point tracking)
- Battery replacement cycle: five years/1000 cycles (typical)
- All electrical and structural steel components bonded to NEC compliant earth grounding electrode (ground rod)

SOLAR POWER SYSTEM

- Design autonomy: three days
- Design depth of discharge: 50%
- Daily energy production: 3,800Wh¹
- Design location: Philadelphia, PA

OPTIONS

- Table and bench top material and colors
- Wide range of steel powder coat colors
- User logos or advertiser/sponsor branding
- Plug load monitoring system

- Ask us about quantity discounts
- Sunbolt qualifies for a 30% Federal Business Energy Investment Tax Credit (ITC) for tax paying individuals^{2,3}
- Sunbolt qualifies for Federal MACR accelerated depreciation for a tax paying business entity⁴
- Financing available

1. PV Array Daily Energy Production with average irradiance for Philadelphia, PA in June.
 2. Consultation with a tax advisor recommended.
 3. http://www.dsireusa.org/incentives/incentive.cfm?Incentive_Code=US02F
 4. http://www.dsireusa.org/incentives/incentive.cfm?Incentive_Code=US06F

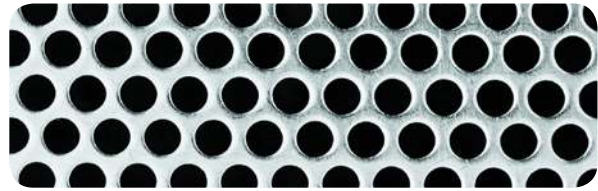
Table & Bench Options



IPE WOOD

Ipe is a rich, dark, exotic wood found in Central and South America with a fine-to-medium grain texture. Due to Ipe's extreme density and hardness, it is often referred to as "ironwood" — it even sinks in water. Its impenetrable nature, combined with oils naturally found in the wood, assures resistance to damage from bugs and moisture.

The economic use for exotic hardwoods helps to prevent the land from being replanted with anything other than replacement trees. Our wood suppliers acquire their wood only from sources certified by USGBC (LEED).



PERFORATED STEEL

Perforated steel is a visually pleasing and practical option, as it is durable, easy to clean, and naturally resistant to weather damage. Our steel is also composed of recycled material, requires little maintenance throughout its long life-cycle, and can be recycled infinitely, making it an environmentally friendly choice for your workstation.

Steel Color Options

STANDARD RAL COLORS *(Don't see your color? Ask about custom finishes)*



RAL 7044 49/75480 - 38/70044



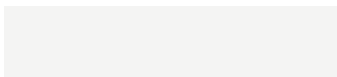
RAL 7036 49/72950 - 38/70036



RAL 7039 49/71020 - 38/70039



RAL 9017 49/80550 - 38/80017



RAL 9003 49/11400 - 38/10003



RAL 8028 49/66500 - 38/60028



RAL 6005 49/50670 - 38/50002



RAL 6020 49/52710 - 38/50020



RAL 5024 49/44660



RAL 5012 49/43170



RAL 5002 49/42220



RAL 5011 49/43180 - 38/40011



RAL 1015 49/15320 - 38/715015



RAL 1017 49/22510



RAL 3003 49/31100



RAL 3005 49/31900

PREMIUM COLORS *(Don't see your color? Ask about custom finishes)*



metallic 38/70044
Argento 312



metallic 38/90011
Argento 308



metallic 38/90009
Argento 307



metallic 38/90007
Argento 305



metallic 38/91020
Anodized Silver



metallic 38/15020
Champagne 303

We offer custom graphics with your logo that can be placed on various locations on the table canopy, mast, and benches.

FULL COVERAGE LOGO

In this option your graphics will be printed on a full sheet — sized based on your chosen location — that is then applied to the steel.

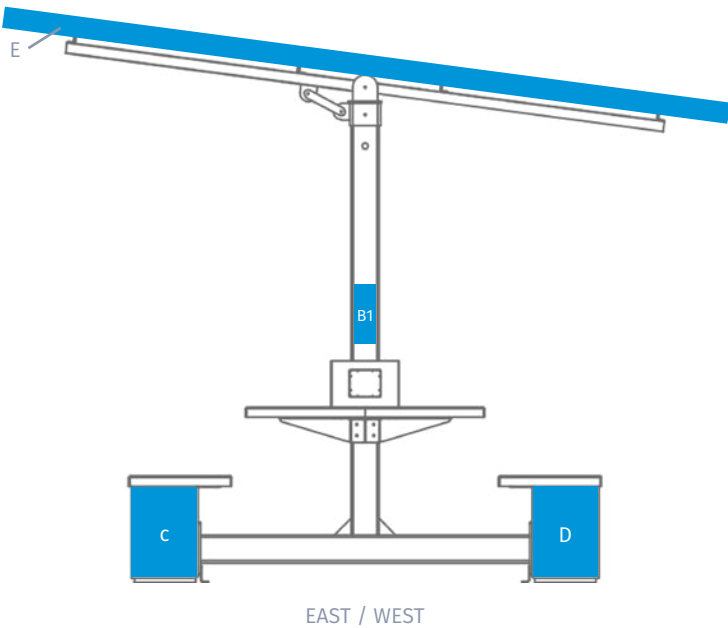


CONTOUR CUT LOGO

In this option your graphics will be printed and then cut out from the background, leaving the powder coated steel as your backdrop when applied.



LOCATION OPTIONS / GRAPHIC SIZE



A: North and South bench backs: 4'w x 1'h

B1: Mast post small: 4.5"w x 15"h

B2: Mast post large: 4.5"w x 30"h (based on customer preference)

C,D: Bench sides: 12"w x 16"h

E: Solar panel edge: 4"h

